

RESIDENTIAL SERVICES

Type of Service & Socket		Approved Voltage	Optional Voltage w/Utility Approved
		120/240V 1 PH 3W 4 Terminal	120/208V 1 PH 3W 5 Terminal
100 Amp Socket Only, Overhead	Surface	URTRS101B Figure 1R	A5J
100 Amp Multiple Meter Socket & Circuit Breaker Combinations, Overhead	Surface	MP2212 or equal EZM3400CBU series Figure 1	5J 5J
	Flush	MPSF12	
100 Amp Socket & Circuit Breaker Combinations, Underground/Overhead	Surface	SC1624M100S SC8L125S SC1624M125S	NA
200 Amp Socket & Circuit Breaker Combinations, Underground/Overhead	Surface	SC816D200C SC3040M200S	NA
	Semi Flush	SC816F200F SC2040M200F	

NA: Not Available

Note: This list of approved manufacturer’s meter equipment is indicative of many of the types of equipment that is acceptable but is not an exhaustive list of all possible acceptable versions manufactured by a particular company. The general guidelines to consider when selecting meter equipment not shown is that PacifiCorp:

- Requires EUSERC approved metering equipment
- Requires manual link bypasses--lever bypasses and automatic bypasses not allowed.
- Requires that all non-residential meter sockets shall have manual link bypass or safety socket.
- Requires ANSI detachable type meter socket--no A-base or K-base sockets.
- Requires all sockets shall be ring types--ringless not allowed.
- Allows single and polyphase direct connect sockets up to a maximum of 225 amperes.
- Allows 400 ampere direct connect sockets with manual link bypasses for single phase only.
- Requires that safety sockets be on all commercial polyphase services and on single-phase 480-volt services.

SQUARE D

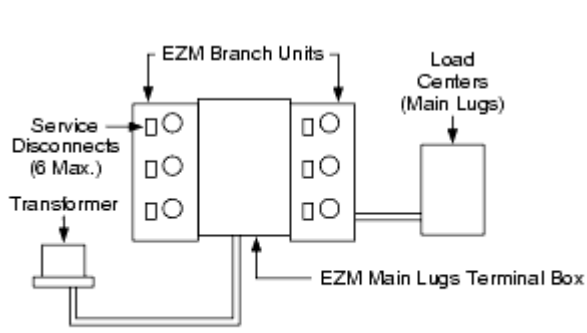
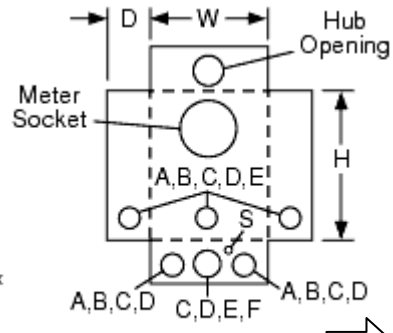


Figure 1



1R

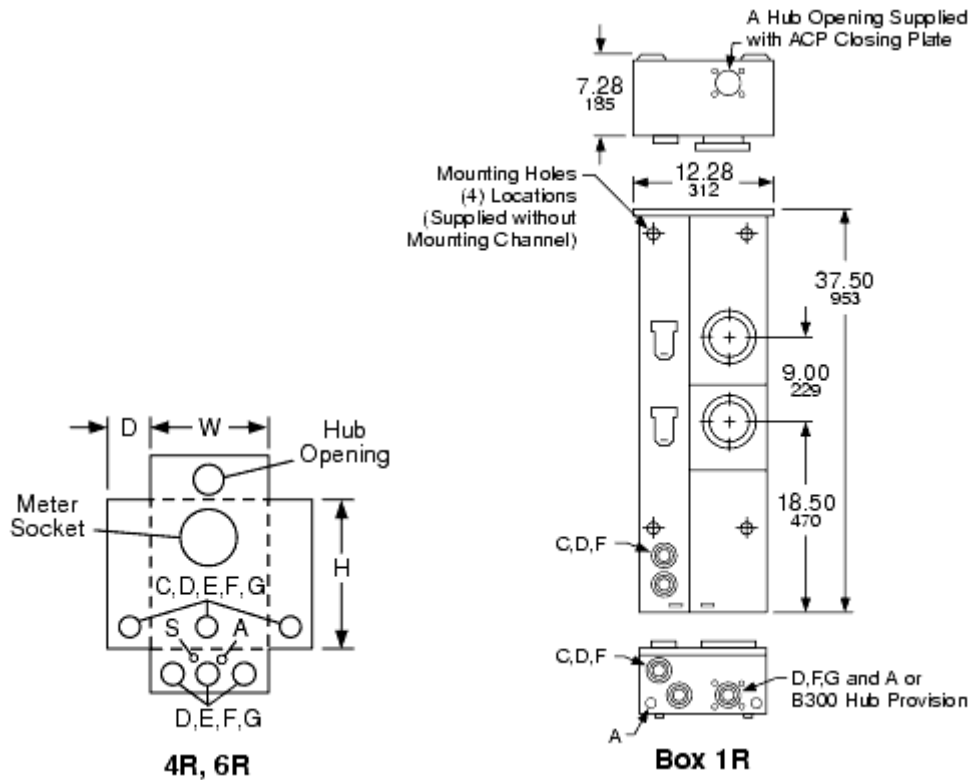


URTRS101B

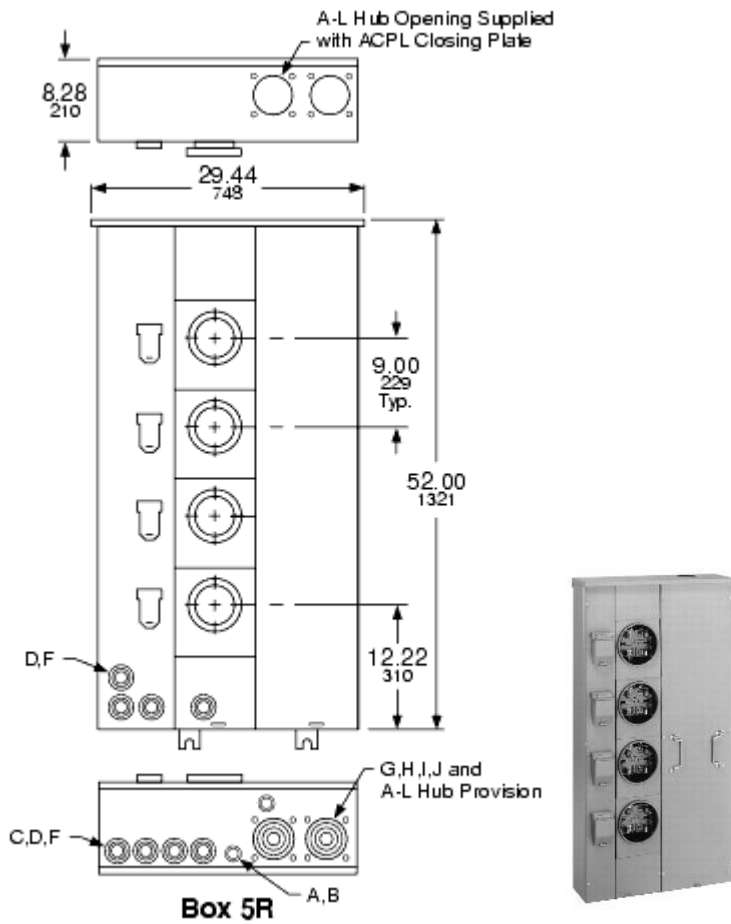
RESIDENTIAL SERVICES

Type of Service & Socket		Approved Voltage	Optional Voltage w/Utility Approved
		120/240V 1 PH 3W 4 Terminal	120/208V 1 PH 3W 5 Terminal
100 Amp Meter Socket & Circuit Breaker Combination, Underground 2 position shown	Surface	MP22125 Fig 1R	5J
	Flush	MPSF12 fig 1R	5J
200 Amp Socket Only, Overhead	Surface	URTRS202B Figure 6R	5AJ

NA: Not Available



Type of Service & Socket		Approved Voltage	Optional Voltage w/Utility Approved
		120/240V 1 PH 3W 4 Terminal	120/208V 1 PH 3W 5 Terminal
200 Amp Multiple Meter Socket & Circuit Breaker Combination, Overhead or Underground (4 meter sockets shown)	Surface	MP64200	5J
	Flush	MPSF24	5J
200 Amp Socket Only, Underground	Surface	NA	NA
	Flush	NA	NA



RESIDENTIAL SERVICES

Type of Service & Socket		Approved Voltage
		120/240V 1 PH 3W 4 Terminal
400 Amp Socket Only, Overhead	Surface	NA
	Flush	NA
400 Amp Socket Only, Underground	Surface	CU12L400CB
	Flush	CU12L400CB with FK400 kit

NA: Not Available

COMMERCIAL SERVICES

Type of Service & Socket		Approved Voltage
		120/240V 1 PH 3W 4 Terminal
400 Amp Socket Only, Overhead	Surface	NA
	Flush	NA
400 Amp Socket Only, Underground	Surface	CU12L400CB
	Flush	CU12L400CB with FK400 kit

NA: Not Available

RESIDENTIAL SERVICES

Type of Service & Socket		Approved Voltage	Optional Voltage w/Utility Approved
		120/240V 1 PH 3W 4 Terminal	120/208V 1 PH 3W 5 Terminal
200Amp Meter Socket & Circuit Breaker Combination, 2,3,4 sockets	Main	EZM1400CBU EZM1600CBU EZM1800CBU	5J
	Branch	EZM112200 EZM113200 EZM114200	5J

NA: Not Available

**Summary of Meter Moduals
Residential**

Type	Number of Sockets	125 Amp Breaker	200 Amp Breaker
All in One	2	SQD Type MP	SQD Type MP
	3	SQD Type MP	SQD Type MP
	4	SQD Type MP	SQD Type MP
	5	SQD Type MP	SQD Type MP
	6	SQD Type MP	SQD Type MP
Modular	2	SQD Type EZM	SQD Type EZM
	3	SQD Type EZM	SQD Type EZM
	4	SQD Type EZM	SQD Type EZM
	5	Not Approved: Will Exceed Height Requirements Per PacifiCorp's ERG's	
	6		

NA: Not Available

Check manufacturer specification for cross bus ratings.

COMMERCIAL SERVICES

MODULAR BASES

System Type	Number of Sockets	200 Amp Breaker
3 PH 4 W	1	EZMT331200
120/208 VAC or 240/120 VAC	2	EZMT332200
Delta	3	Not Approved: Will exceed height requirements per PacifiCorp's ESR

PULL BOX

System Type	Amperes Rating	Catalog
Single and Three Phase	Up to 1200 amps	SQD Model EZM, Type CBU
Underground only		Select the appropriate catalog number per the service type.