

Distribution Spill Prevention, Control and Countermeasure (SPCC) Power Delivery Policy 228

Author: Ehsan Maleki
 Approval: Ken Shortt , Greg Lyons, Dave Asgharian
 Authoring Department: Standards Engineering Documentation
 Approved File Location: Pdxshrn104\shr04\Eng\Publications\
 File Number-Name: 228-Distribution_Spill_Protection_Control_Countermeasure_(SPCC).docx
 Revision Number: R0
 Revision Date: 6/29/11

Document Security Category			
	Confidential	X	External
	Restricted		Critical Infrastructure Information (CII)
X	Internal		

Revision Log		
0	6/29/11	Initial issue

Distribution Spill Prevention, Control and Countermeasure (SPCC) Power Delivery Policy 228

1 Scope

This document was created to inform PacifiCorp's customers and contractors of the requirements for distribution transformer oil spill prevention, control and countermeasure. This document is posted to PacifiCorp's internal and external websites, and is referenced in the company's 2011 Electric Service Requirements manual (ESR) as well as external *ESR White Paper 9: SPCC*.

2 Policy

Customers who own private property that contains power-company-owned, oil-filled equipment may be required to accommodate a Spill Prevention, Control and Countermeasure (SPCC) plan. SPCC plans are required of electric utilities by Federal Regulation 40 CFR 112, which is enforced by the US Environmental Protection Agency. (In all cases, the SPCC plan is owned by the power company.)

3 Oil-Containment and Discharge Prevention Requirements

When a transformer (or transformers) serving a single customer at a given site/facility contains a total of 1,320 gallons of oil or more, an oil-containment system shall be provided by the customer. The facility design shall also incorporate discharge prevention measures (appropriate containment, increased distance to surface water or drains, etc.). See Figures 1 and 2 for design details.

Typical oil volumes for standard sizes of three-phase transformers are given in Table 1.

Table 1 - Oil Volume in Three-Phase Transformers

Transformer Size (kVA)	Oil Volume (gal)
750	380
1,000	480
1,500	570
2,000	640
2,500	760

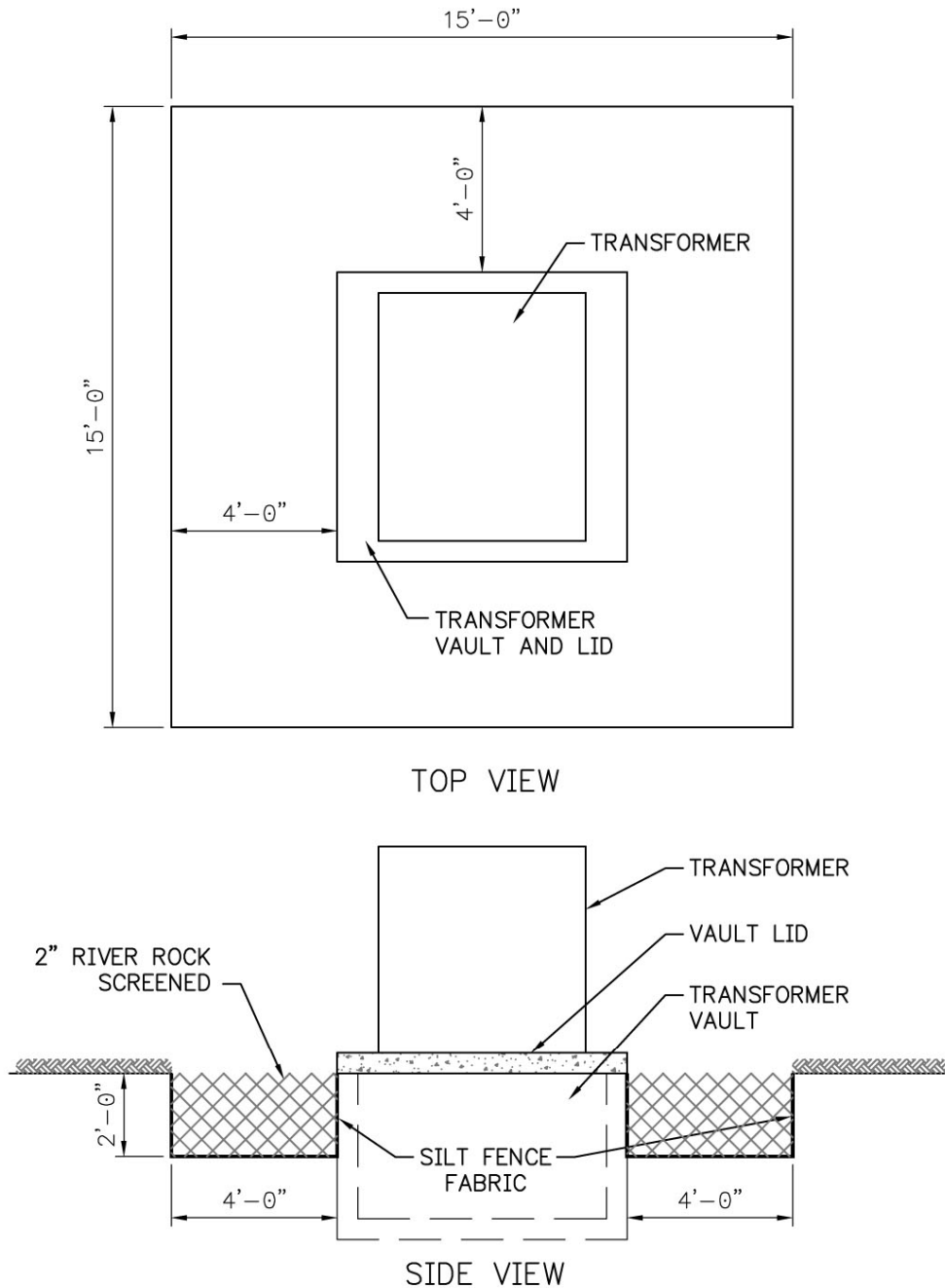


Figure 1 – SPCC construction for transformers installed adjacent to a permeable surface

- NOTES:
- * TRENCH ON FOUR SIDES
 - * 2' DEEP x 4' WIDE
 - * SILT FENCE FABRIC THAT WILL ALLOW WATER TO PASS THROUGH
 - * 2" ROCK SCREENED
 - * ALL CONDUIT ACCESS POINTS SHALL BE SEALED

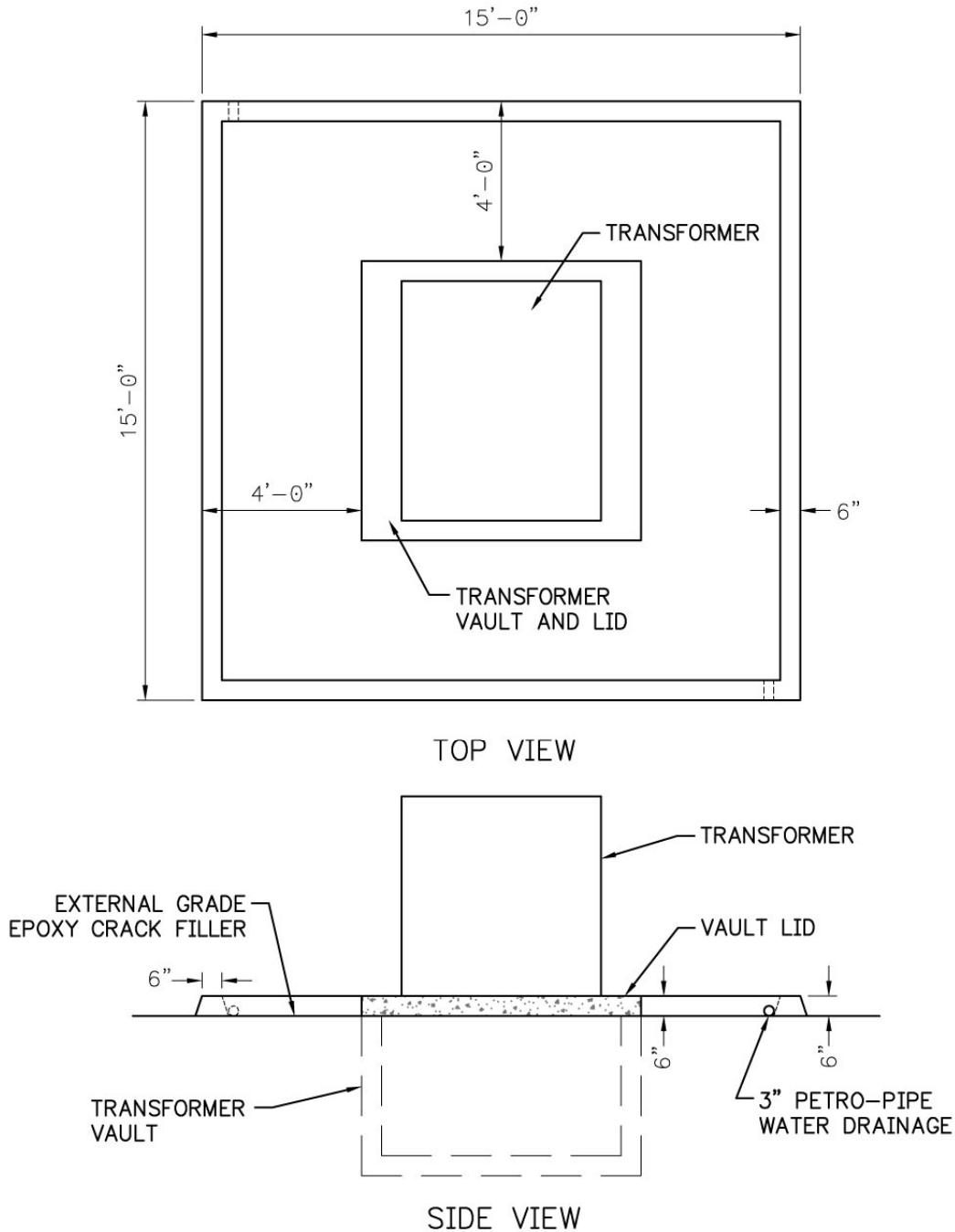


Figure 2 – SPCC construction for transformers installed adjacent to a impermeable surface

- NOTES:
- * CURB ON FOUR SIDES
 - * 6" TALL x 6" WIDE
 - * 3" PETRO-PIPE DRAINAGE
 - * EXTERNAL GRADE EPOXY CRACK FILLER SHALL BE USED AT ALL SEAMS AND CRACKS
 - * ALL CONDUIT ACCESS POINTS SHALL BE SEALED