

Application No. 18-04-____
Exhibit PAC/703
Witness: Richard A. Vail

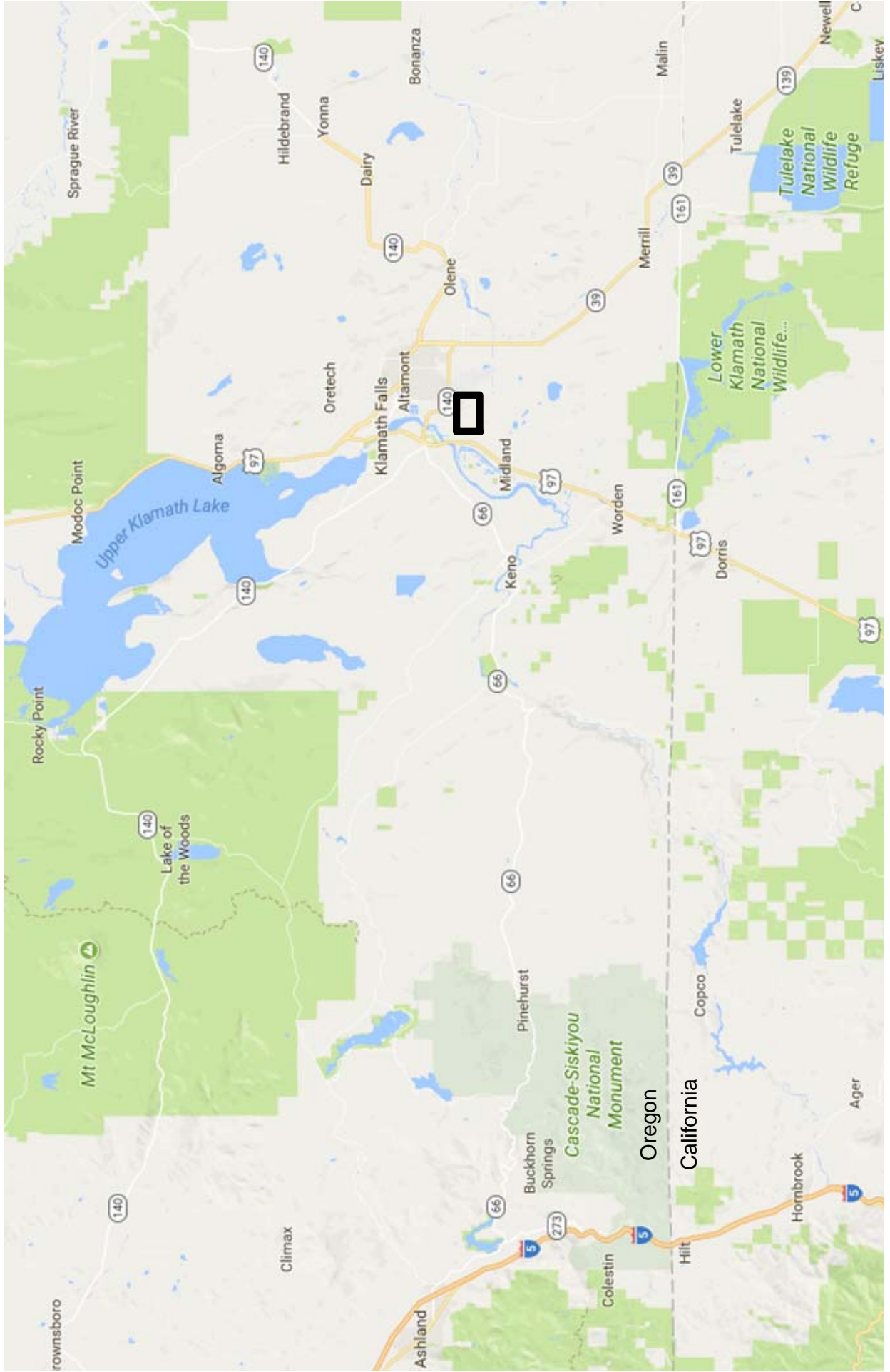
BEFORE THE PUBLIC UTILITIES COMMISSION
OF THE STATE OF CALIFORNIA

PACIFICORP

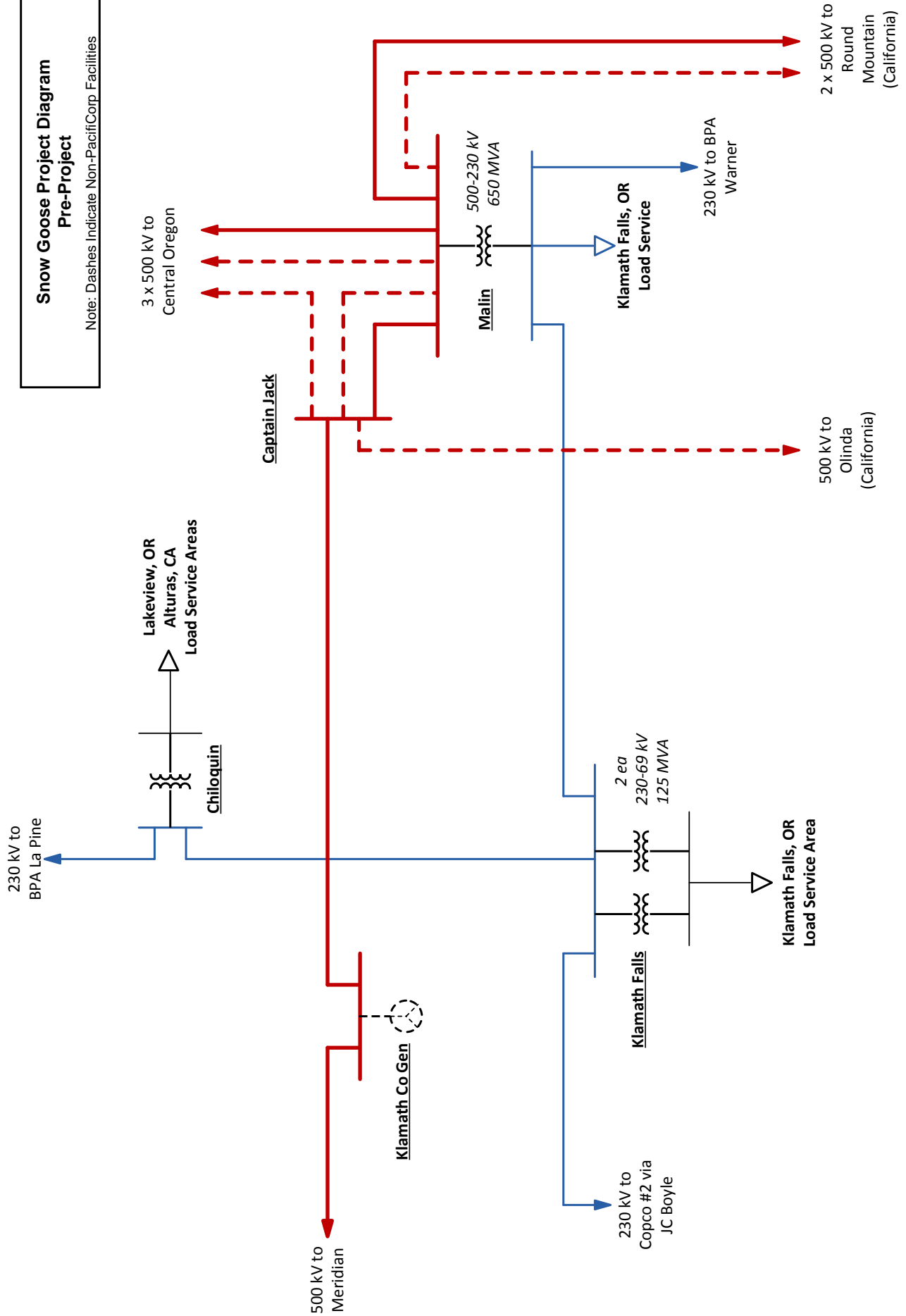
Exhibit Accompanying Direct Testimony of
Richard A. Vail
Snow Goose Substation Project Area and Project Diagram

April 2018

Snow Goose 500-230 KV New Substation Project Area



**Snow Goose Project Diagram
Pre-Project**
Note: Dashes Indicate Non-PacifiCorp Facilities



**Snow Goose Project Diagram
Post-Project**
Note: Dashes Indicate Non-PacifiCorp Facilities

