

Application No. 18-04-____
Exhibit PAC/705
Witness: Richard A. Vail

BEFORE THE PUBLIC UTILITIES COMMISSION
OF THE STATE OF CALIFORNIA

PACIFICORP

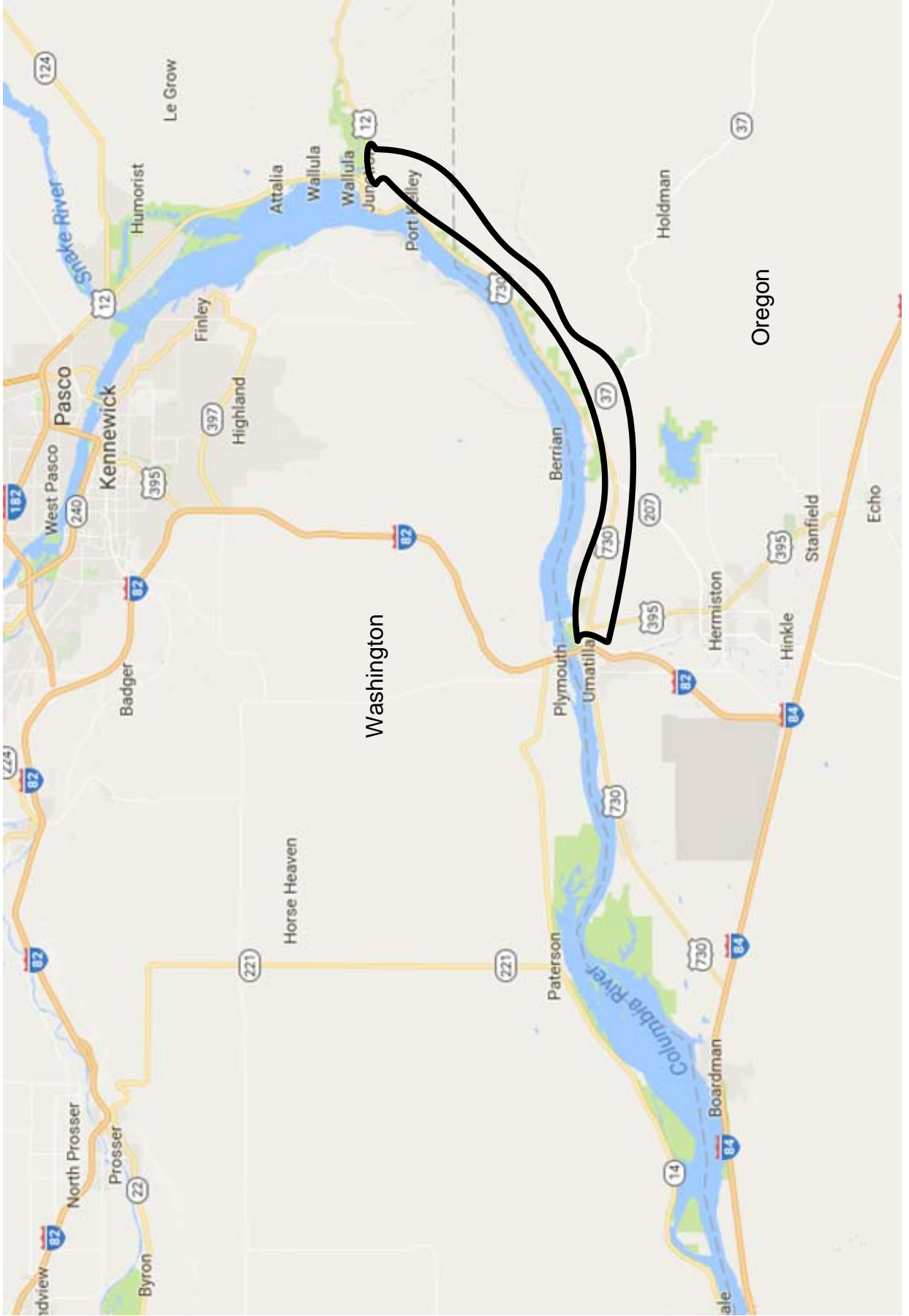
Exhibit Accompanying Direct Testimony of

Richard A. Vail

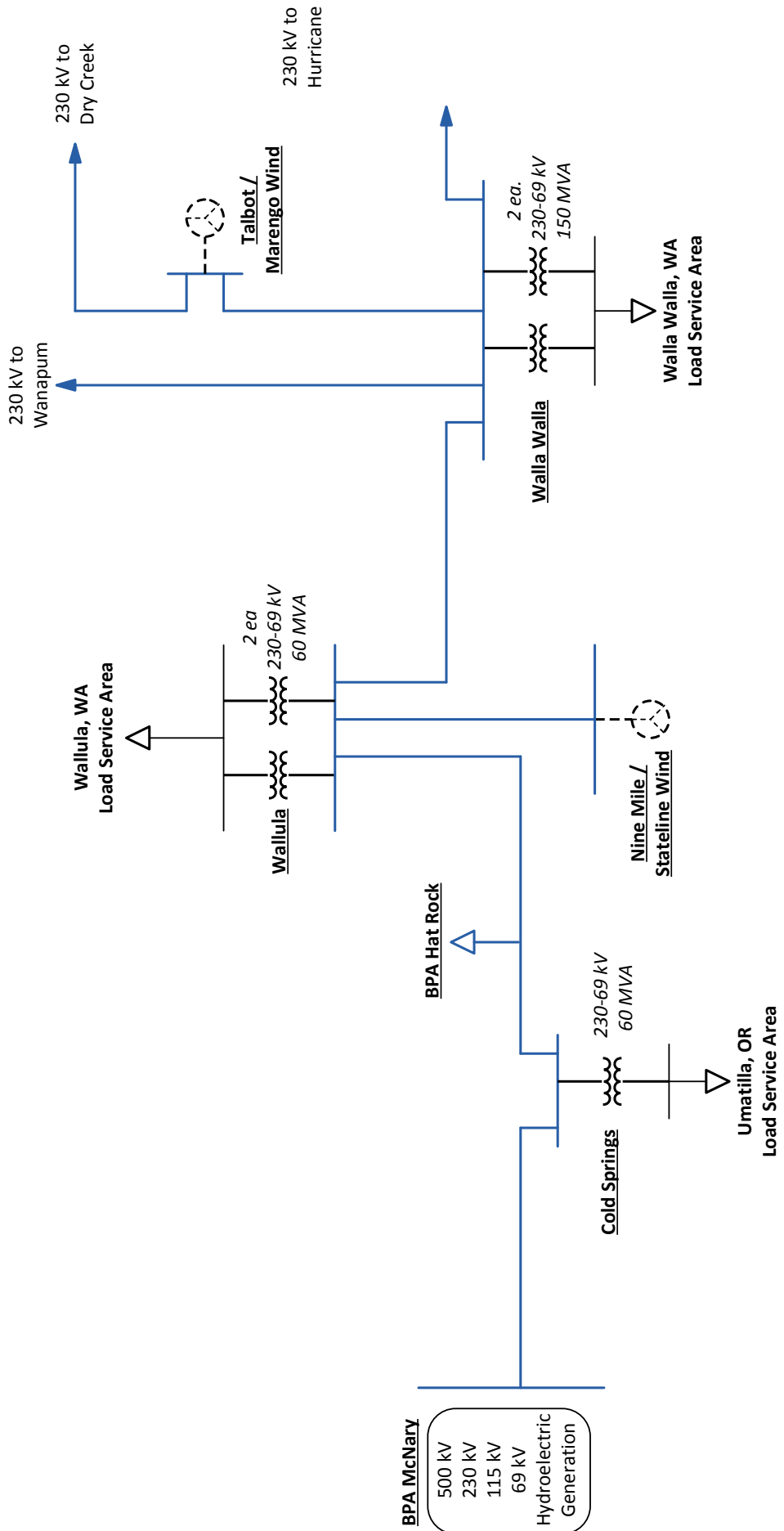
Wallula to McNary Transmission Line Project Area and Project Diagram

April 2018

Wallula to McNary 230 KV New Transmission Line Project Area



**Walla-McNary #2 Project Diagram
 Pre-Project**
 Note: Dashes Indicate Non-PacifiCorp Facilities



**Walla-McNary #2 Project Diagram
Post-Project**
Note: Dashes Indicate Non-PacifiCorp Facilities

