

RESIDENTIAL SERVICES

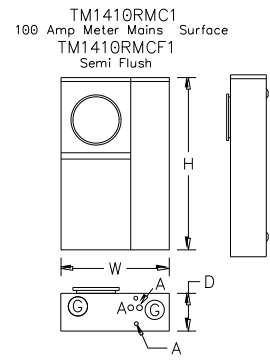
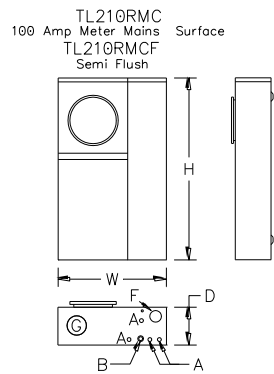
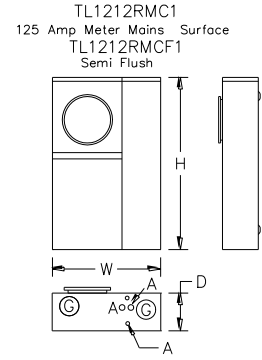
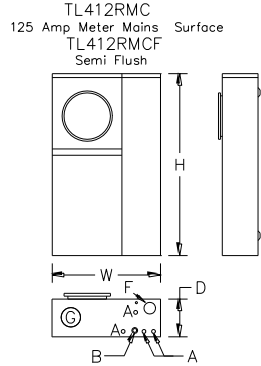
Type of Service & Socket (Residential) Overhead Sockets are Approved for Overhead Service Only & Underground Sockets are Approved for Underground Services Only		Approved Voltage	Optional Voltage w/Utility Approved
		120/240V 1 PH 3W 4 Terminal	120/208V 1 PH 3W 5 Terminal
100 Amp Socket Only, Overhead	Surface Flush	NA NA	NA NA
100 Amp Meter Socket & Circuit Breaker Combination, Overhead	Surface Semi-Flush	TSL210CSCU TSM1610CSCU TSL210CFCU TSM1610CFCU	SAME w/TJAW53 SAME w/TJAW53
125 Amp Meter Socket & Circuit Breaker Combination, Overhead	Surface Semi-Flush	TSL412CSCU TSM1212CSCU TSL412CFCU TSM1212CFCU	SAME w/TJAW53 SAME w/TJAW53
100 Amp Socket Only, Underground	Surface Flush	NA NA	NA NA
100 Amp Socket & Circuit Breaker Combination, Underground	Surface Semi-Flush	TSL210CSCU TSM1610CSCU TSL210CFCU TSM1610CFCU	SAME w/TJAW53 SAME w/TJAW53
125 Amp Meter Socket & Circuit Breaker Combination, Underground	Surface Semi-Flush	TSL412CSCU TSM1212CSCU TSL412CFCU TSM1212CFCU	SAME w/TJAW53 SAME w/TJAW53

Note: This list of approved manufacturer’s meter equipment is indicative of many of the types of equipment that is acceptable but is not an exhaustive list of all possible acceptable versions manufactured by a particular company. The general guidelines to consider when selecting meter equipment not shown is that PacifiCorp:

- Requires EUSERC approved metering equipment
- Requires manual link bypasses--lever bypasses and automatic bypasses not allowed.
- Requires that all non-residential meter sockets shall have manual link bypass or safety socket.
- Requires ANSI detachable type meter socket--no A-base or K-base sockets.
- Requires all sockets shall be ring types--ringless not allowed.
- Allows single and polyphase direct connect sockets up to a maximum of 225 amperes.
- Allows 400 ampere direct connect sockets with manual link bypasses for single phase only.
- Requires that safety sockets be on all commercial polyphase services and on single-phase 480-volt services.

GENERAL ELECTRIC
 Old number TL210RMC
 Old Number TM1410RMC1

NEW TSL210CSCU
NEW TSM1610CSCU



Knockout Code – Conduit Sizes

- | | |
|--------------------------------------|-------------------------------|
| A = 1/2 | J = 3/4, 1, 1 1/4 |
| B = 1/2, 3/4 | M = 3/4, 1, 1 1/4, 1 1/2 |
| C = 1/2, 3/4, 1 | N = 3/4, 1, 1 1/4, 1 1/2, 2 |
| E = 1/2, 3/4, 1, 1 1/4 | S = 1, 1 1/4, 1 1/2, 2, 2 1/2 |
| F = 1/2, 3/4, 1 1/4, 1 1/2 | AA = 1 1/2, 2, 2 1/2, 3 |
| G = 1/2, 3/4, 1 1/4, 1 1/2, 2, 2 1/2 | |

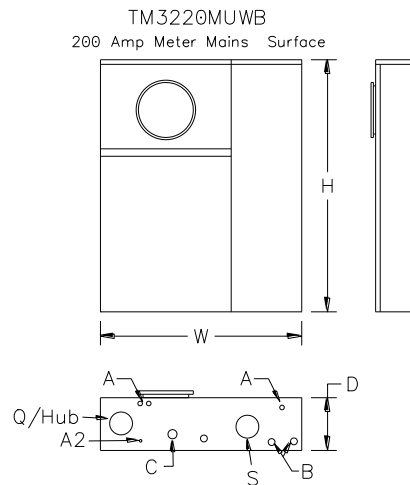
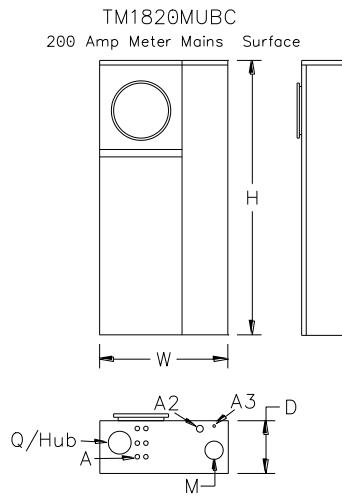
General Electric

Dimensions – Inches

CATALOG NUMBER	DIMENSIONS		
	H	W	D
TL210RMC	23 1/2	14	4 7/8
TL210RMCF	23 1/2	14	4 7/8
TM1410RMC1	22 1/4	14	4 7/8
TM1410RMCF1	22 1/4	14	4 7/8
TL412RMC	23 1/2	14	4 7/8
TL412RMCF	23 1/2	14	4 7/8
TL1212RMC1	22 1/4	14	4 7/8
TL1212RMCF1	22 1/4	14	4 7/8

RESIDENTIAL SERVICES

Type of Service & Socket (Residential) Overhead Sockets are Approved for Overhead Service Only & Underground Sockets are Approved for Underground Services Only		Approved Voltage	Optional Voltage w/Utility Approved
		120/240V 1 PH 3W 4 Terminal	120/208V 1 PH 3W 5 Terminal
150 Amp Meter Socket & Circuit Breaker Combination, Underground	Surface Semi-Flush	NA NA	NA NA
200 Amp Socket Only, Overhead	Surface Flush	NA NA	NA NA
150 Amp Socket & Circuit Breaker Combination, Overhead Underground Combination	Surface	TSM815CSCU	NA
200 Amp Socket & Circuit Breaker Combination, Overhead Underground Combination	Surface	TSM820CSCU	NA
200 Amp Meter Socket & Circuit Breaker Combination, Overhead	Surface	TSL420CSCU TSM2020CSCU	Same w/TJAW53
	Semi-Flush	TSL420CFCU TSM2020CFCU	Same w/TJAW53
200 Amp Socket Only, Underground	Surface Flush	NA NA	NA NA
200 Amp Meter Socket & Circuit Breaker Combination, Underground	Surface Semi-Flush	TSL420CSCU TSL420CFCU	Same w/TJAW53 Same w/TJAW53



Knockout Code – Conduit Sizes

A2 = 9/32	G = 1/2, 3/4, 1 1/4, 1 1/2, 2, 2 1/2
A3 = 3/8, 1/2, 3/4	J = 3/4, 1, 1 1/4
A = 1/2	M = 3/4, 1, 1 1/4, 1 1/2
B = 1/2, 3/4	N = 3/4, 1, 1 1/4, 1 1/2, 2
C = 1/2, 3/4, 1	S = 1, 1 1/4, 1 1/2, 2, 2 1/2

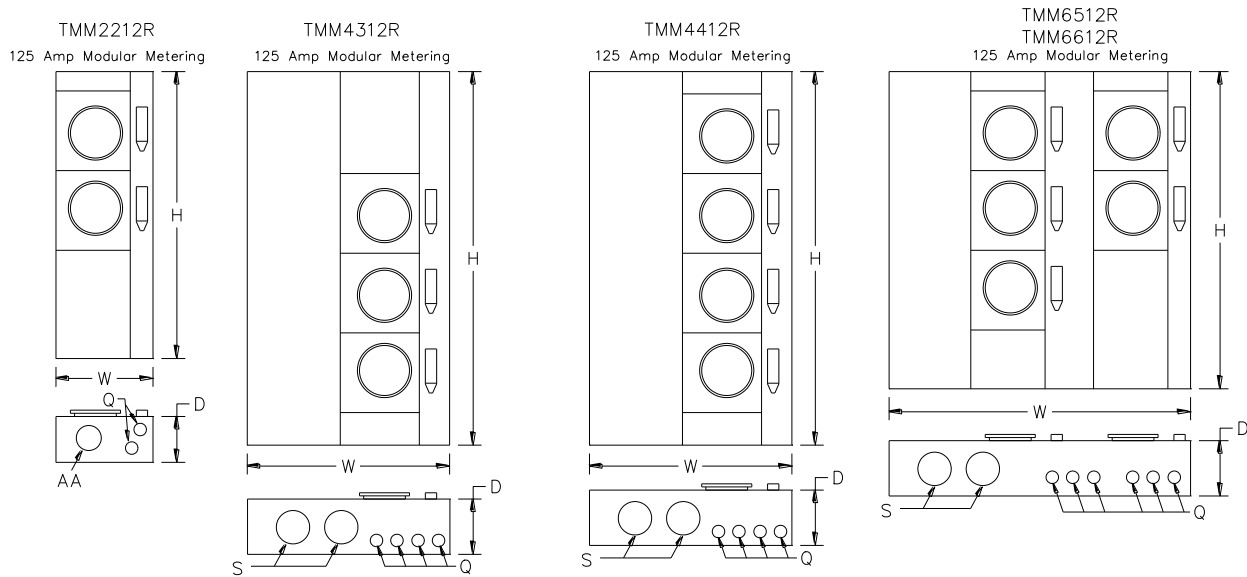
Dimensions – Inches

CATALOG NUMBER	DIMENSIONS		
	H	W	D
TM1820MUBC	29 15/16	14	5 3/4
TM3220MUWB	27 1/2	22	5 3/4

General Electric

METER MODULES RESIDENTIAL SOCKETS

Type	Number of Sockets	125 Amp Breaker	200 Amp Breaker
All in One	2	TMM2212R	TMM4220R
	3	TMM4312R	TMM6320R
	4	TMM4412R	TMM6420R
	5	TMM6512R	TMM6520R
	6	TMM6612R	TMM6620R
Modular	2	TMP8212R	TMP8220R
	3	TMP8312R	TMP8320R
	4	TMP8412R	TMP8420R
	5	Not Approved: Will Exceed Height Requirement	
	6		



Dimensions – Inches

Knockout Code – Conduit Sizes

- Q = 1, 1¼, 1½
- R = 1, 1¼, 1½, 2, 2½
- S = 2½, 3, 3½, 4
- AA = 1½, 2, 2½, 3

CATALOG NUMBER	DIMENSIONS		
	H	W	D
TMM2212R	29 ¹⁵ / ₁₆	14	5 ³ / ₄
TMM4312R	29 ¹⁵ / ₁₆	14	5 ³ / ₄
TMM4412R	39 ¹⁵ / ₁₆	14	4 ⁷ / ₈
TMM6512R	39 ¹⁵ / ₁₆	14	4 ⁷ / ₈
TMM6612R	30 ³ / ₄	14	5 ³ / ₄

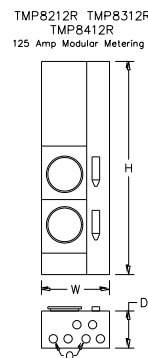
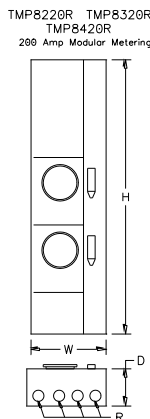
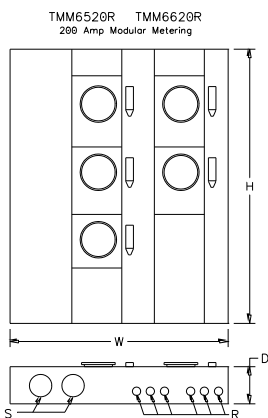
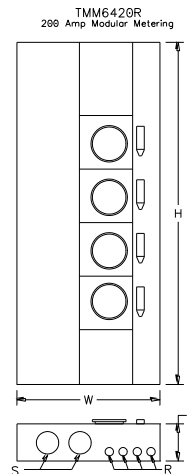
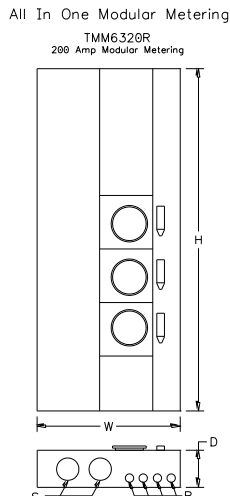
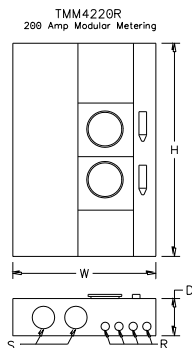
IVK 1

General Electric

METER MODULES COMMERCIAL SOCKETS

Type	Number of Sockets	Breaker	Catalog
Single Phase Modular	2	200A	TMP112220RTAB

SWITCHBOARD COMMERCIAL MULTIPLE METER SOCKETS



Dimensions - Inches

CATALOG NUMBER	DIMENSIONS		
	H	W	D
TMM4220R	38	25½	6¾
TMM6320R, TMM6420R	61	25½	6¾
TMM6520R, TMM6620R	48¾	38¾	6¾
TMP8220R, TMP8320R	48¾	38¾	6¾
TMP8420R	61	13¾	6¾
TMP8212R, TMP8312R	38	12¾	6¾
TMP8412R	44¾	12¾	6¾

Knockout Code - Conduit Sizes

A2 = 9/32	P = ¾, 1, 1¼, 1½, 2, 2½
A3 = 5/16, ½, ¾	Q = 1, 1¼, 1½
A = ½	R = 1¼, 1½, 2
B = ½, ¾	S = 2½, 3, 3½, 4
C = ½, ¾, 1	

General Electric

Meter Selection

GENERAL ELECTRIC

Service Voltage	Amperes	Type
1 PH, 3W	400	Spectra Series Commercial Metering Switchboard
3 PH, 3W	600	
120/240V	800	
240V or 480V	1200	
	1600	
	2000	
	4000	
3 PH, 4W	400	Spectra Series Commercial Metering Switchboard
208Y/120V	600	
480Y/277V	800	
	1200	
	1600	
	2000	
	4000	

SWITCHBOARD COMMERCIAL CURRENT TRANSFORMER SERVICES

Meter Selection		
Service Voltage	Amperes	Type
1 PH, 3W 3 PH, 3W 120/240V 240V or 480V	400 600 800 1200 1600 2000 4000	SPC Plus Switchboards Spectra Series Switchboards
3 PH, 4W 208Y/120V 480Y/277V	400 600 800 1200 1600 2000 4000	SPC Plus Switchboards Spectra Series Switchboards

SWITCHBOARD COMMERCIAL CURRENT TRANSFORMER SERVICES

Meter Selection		
Service Voltage	Amperes	Type
1 PH, 3W, 120/240V	400	AJT Fusible Switchboard
3 PH, 3W, 120/240 Delta	600	AJC Circuit Breaker
3 PH, 4W, 120/208V	800	Switchboard AJS Fusible Switchboard
3 PH, 4W	400	AJS Fusible Switchboard
208Y/120V	600	
480Y/277V	800	

Requires a Type "AJUP" Underground Pull Section for Underground Service